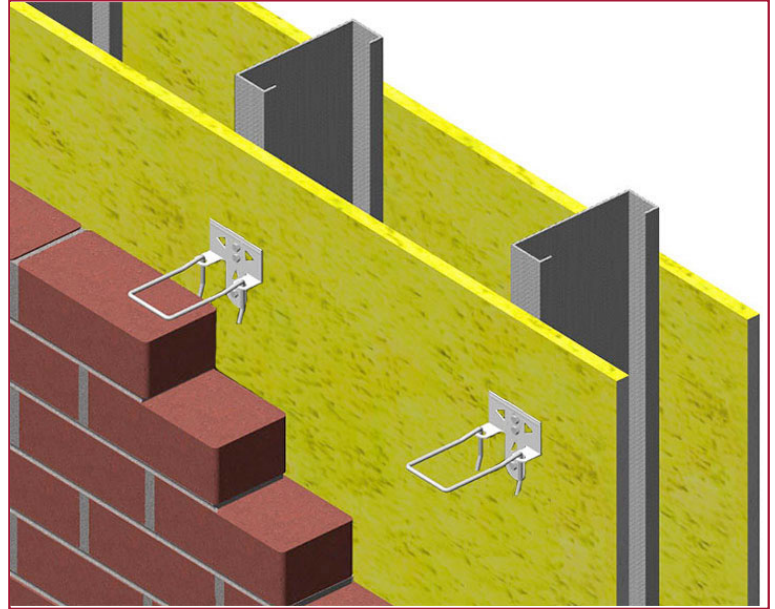
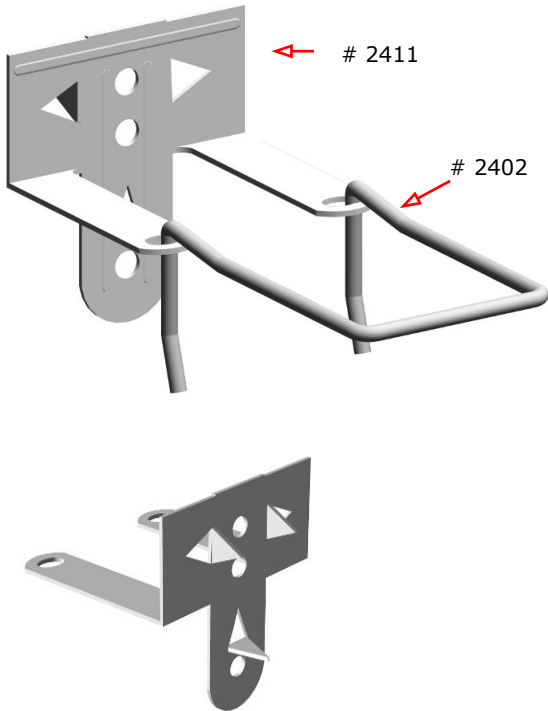


PRODUCT SUBMITTAL



2411 HCL-711 Adjustable Veneer Anchor



MATERIAL CONFORMANCE

ASTM A82 / A82M - (Cold drawn steel wire)

Tensile Strength - 80,000 psi
Yield Point - 70,000 psi

ACI / ASCE 530 - (Building code requirements for masonry structures)

SHEET METAL - (Carbon Steel) **ASTM A1008 / A1008M**

Mill Galvanized / Zinc Coating: **ASTM A641 / A641M (0.10 Oz per sq ft)**

Hot Dip Galvanized after fabrication / Zinc Coating
ASTM A153 / A153M-B2 (1.50 oz per sq ft)

Stainless Steel **ASTM 580 / ASTM 580M Type 304** (Type 316 available on special order)

Recycled Content:

Mill Galvanized & Hot Dip,
82.8% Post-Consumer
17% Post Industrial / Pre-Consumer

Stainless Steel,
60% Post Consumer
V O C Content - 0%

SIZES / FINISHES

2411 HCL711:

- 14 gauge 12 gauge
 5/8" prong 1/2" prong

2402 Hook: 3/16"Ø

- 3-1/4" 4-1/4" 5-1/4" Other _____

FINISH:

- Mill Galvanized
 Hot Dip Galvanized
 Stainless Steel



www.wirebond.com

MASONPRO, Inc.
43300 Seven Mile Road
Northville, MI 48167
1-800-659-4731
www.masonpro.com