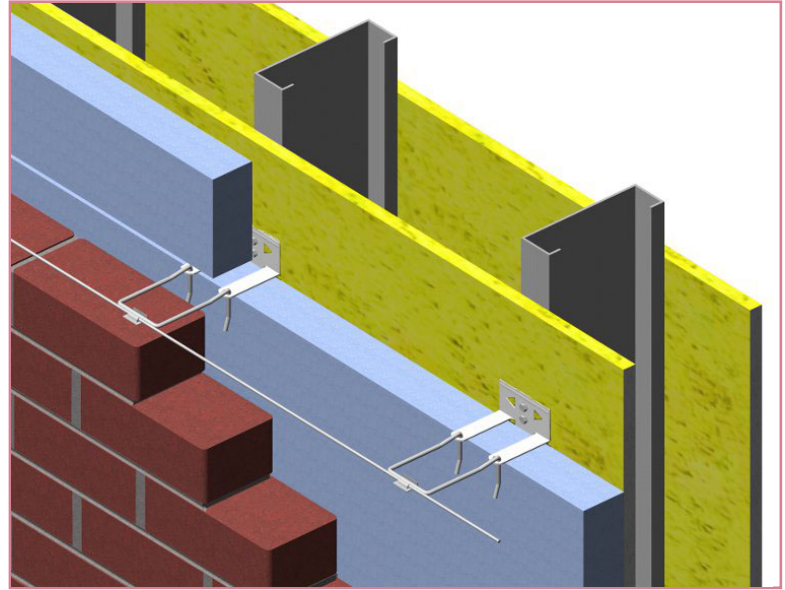
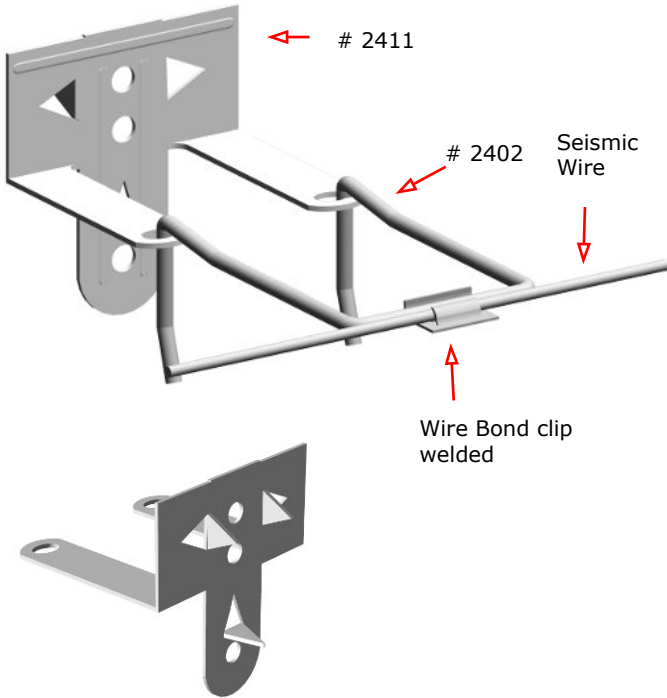



PRODUCT SUBMITTAL



2411 HCL-711 Adjustable Veneer Anchor Seismic

New design with 2 screw holes above the legs saves time while installing in insulation applications.



| MATERIAL CONFORMANCE | SIZES / FINISHES | | | | | | | |
|---|---|------|--------|----|--------|----|--------|----|
| <p>ASTM A82 / A82M - (Cold drawn steel wire) Tensile Strength - 80,000 psi Yield Point - 70,000 psi</p> <p>ACI / ASCE 530 - (Building code requirements for masonry structures)</p> <p>SHEET METAL - (Carbon Steel) ASTM A1008 / A1008M</p> <p>Mill Galvanized / Zinc Coating: ASTM A641 / A641M (0.10 Oz per sq ft)</p> <p>Hot Dip Galvanized after fabrication / Zinc Coating ASTM A153 / A153M-B2 (1.50 oz per sq ft)</p> <p>Stainless Steel ASTM 580 / ASTM 580M Type 304 (Type 316 available on special order)</p> <p style="text-align: right;">Recycled Content: Mill Galvanized & Hot Dip, 82.8% Post-Consumer 17% Post Industrial / Pre - Consumer</p> <p style="text-align: right;">Stainless Steel, 60% Post Consumer V O C Content - 0%</p> | <p># 2411 HCL711:</p> <p>14 gauge 12 gauge 5/8" prong 1/2" prong</p> <p>@; G. Must be 3/4" more than insulation A A</p> <p>Insulation:</p> <table border="1"> <tr> <td>1/4"</td> <td>1-1/2"</td> <td>2"</td> <td>2-1/2"</td> <td>3"</td> <td>3-1/2"</td> <td>4"</td> </tr> </table> <p># 2402 Hook: 3/16" Diameter Standard</p> <p>3-1/4" 4-1/4" 5-1/4" Other _____</p> <p>Straight & Cut Seismic Wire:</p> <p>9 gauge 3/16" Diameter</p> <p>FINISH:</p> <p>Mill Galvanized Hot Dip Galvanized Stainless Steel</p> <div style="text-align: right;">  </div> | 1/4" | 1-1/2" | 2" | 2-1/2" | 3" | 3-1/2" | 4" |
| 1/4" | 1-1/2" | 2" | 2-1/2" | 3" | 3-1/2" | 4" | | |



www.wirebond.com

MASONPRO, Inc.
43300 Seven Mile Road
Northville, MI 48167
1-800-659-4731
www.masonpro.com