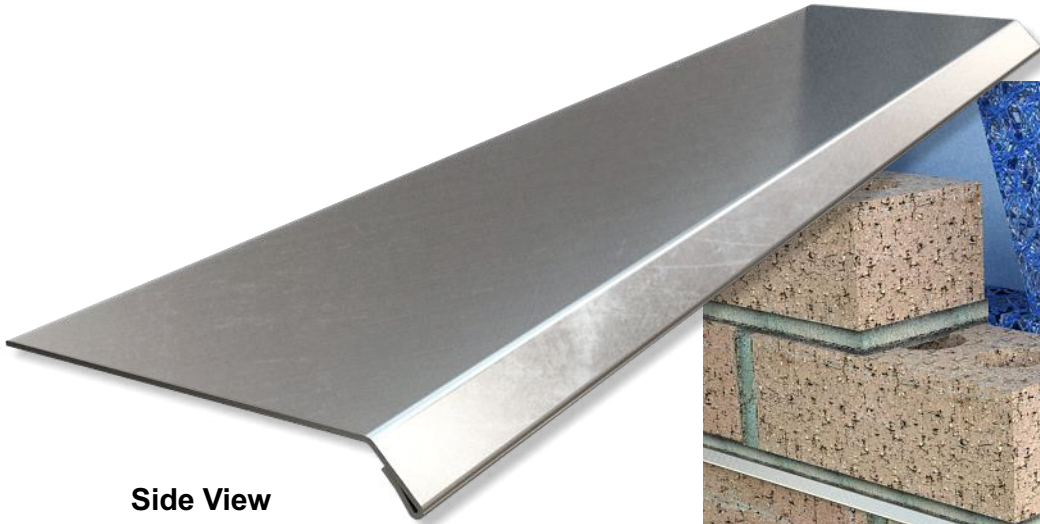


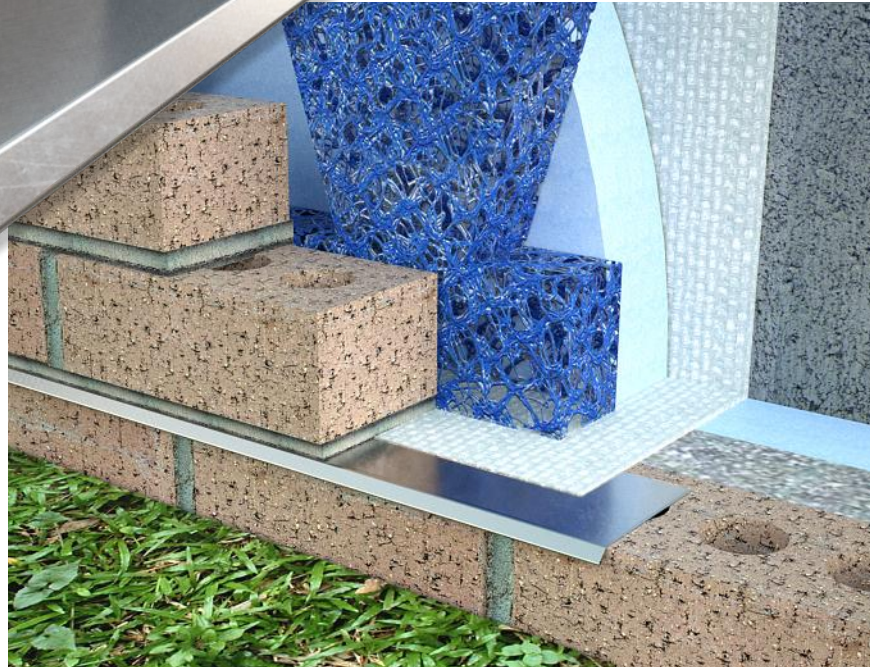
PRODUCT SUBMITTAL



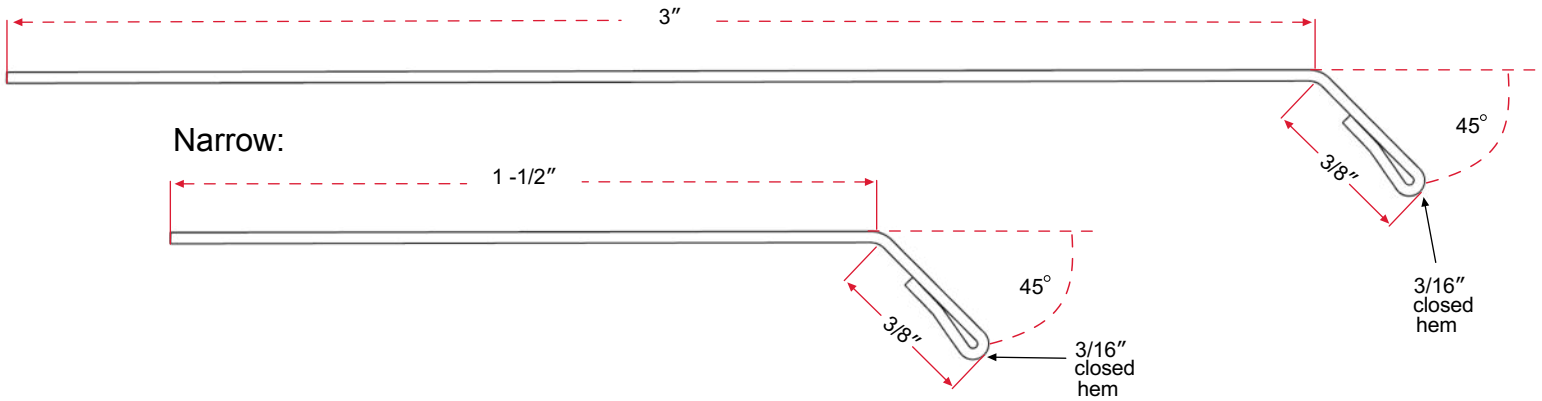
#4165 Drip Edge Flashing



Side View



Standard:



Custom lengths available for window & door openings
Eliminates waste, saves labor!

MATERIAL CONFORMANCE	SIZES / FINISHES	
SHEET METAL: Stainless Steel Type 304: ASTM A240/A240M, ASTM A666, ASTM A480/A480M, and ASTM A167 (Type 316 available on special orders) Steel Products (flats) Recycled Content: Stainless Steel, 60% Post Consumer V O C Content - 0%	#4165 Drip Edge Flashing: 26 gauge Standard length : 8'- 0"	Packaging: 25 per Box
	WIDTH: 3" Standard 1-1/2" Narrow Other	
	FINISH: Stainless Steel Type 304: ASTM A240/A240M, ASTM A666, ASTM A480/A480M, and ASTM A167	



wirebond.com

MASONPRO, Inc.
 43300 Seven Mile Road
 Northville, MI 48167
 1-800-659-4731
 www.masonpro.com