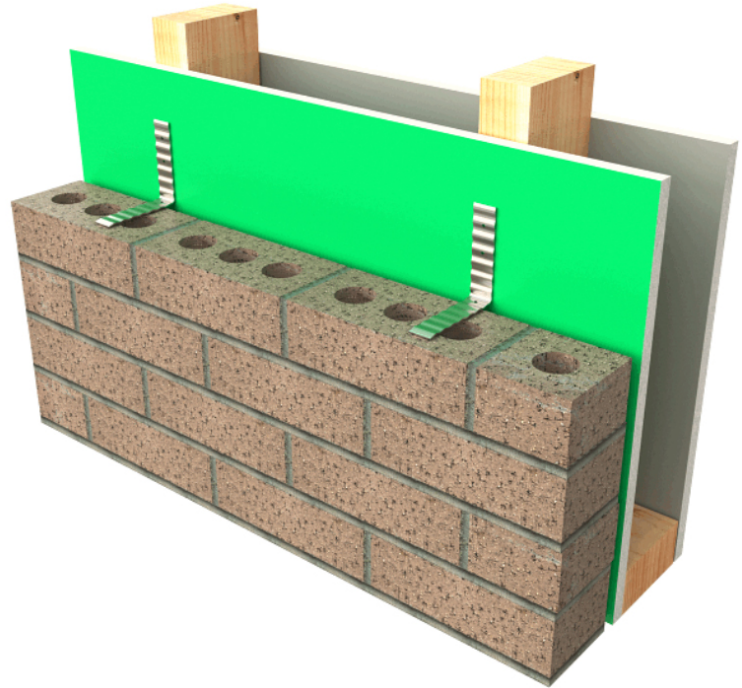


## Brik-Tie™

### Corrugated Wall Ties

Brick Veneer on Wood Framing



#### Product Information:

##### Uses:

- Brick veneer on wood framing up to 28' height
- Use with 8d nail hot dip (or) #9 - 15 x 2" wood screw hex washer head climaseal coated with neoprene washer

##### Dimension:

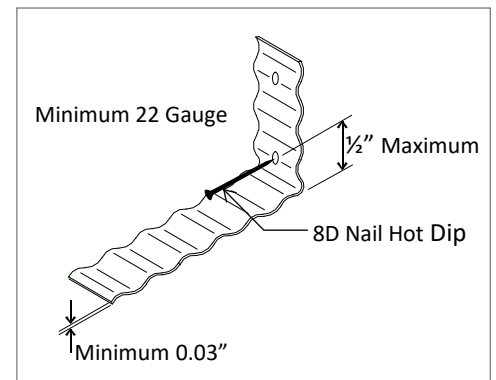
- 22 gauge 7/8" x 7" corrugated wall tie

##### Finish:

- Hot Dip Galvanized after fabrication/ Zinc Coating  
ASTM A153/A153M-B2 (1.50 oz per sq ft)

##### Advantages:

- Meets IRC and local building codes
- Corrosion protection
- Simple and economical to install



For technical assistance call us toll free at 1-800-659-4731.