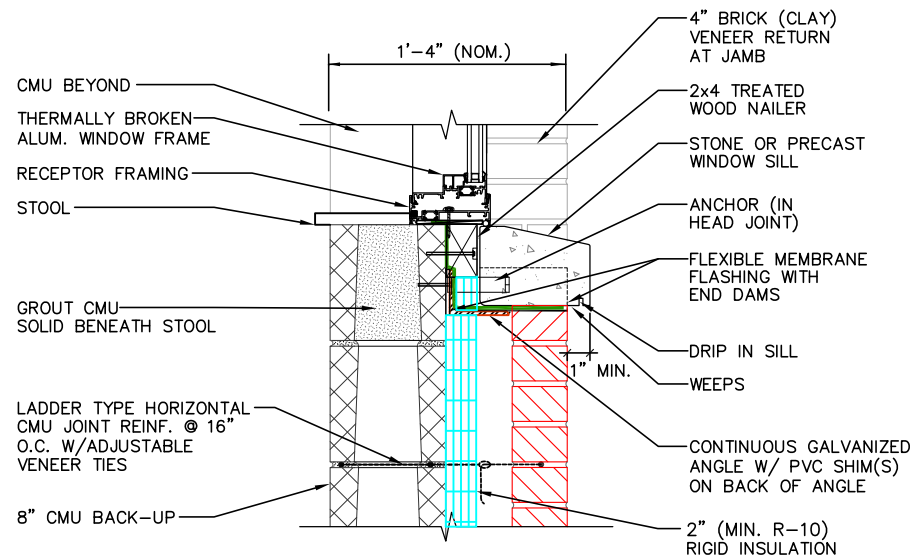
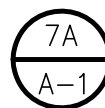


ISOMETRIC VIEW

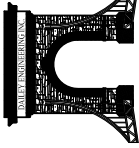


SECTION VIEW



STONE/PRECAST SILL
FOR RECEPTOR STYLE WINDOWS
2" RIGID INSULATION

DAILEY ENGINEERING, INC.
8485 STEPHENSON ROAD
ONSTED, MI 49266
PH. # (517) 467-9000
FAX # (517) 467-9010



MASONRY
Institute of Michigan

DETAIL SET MW.8.RB.2 (2" HIGH PERFORMANCE CAVITY WALL)

IN CHARGE:	MIM
DRAWN:	M.W.F.
APPROVED:	T.A.D.
DATE:	11/04/2014
TITLE:	STONE/PRECAST SILL FOR RECEPTOR STYLE WINDOWS
SHEET:	A-8.1