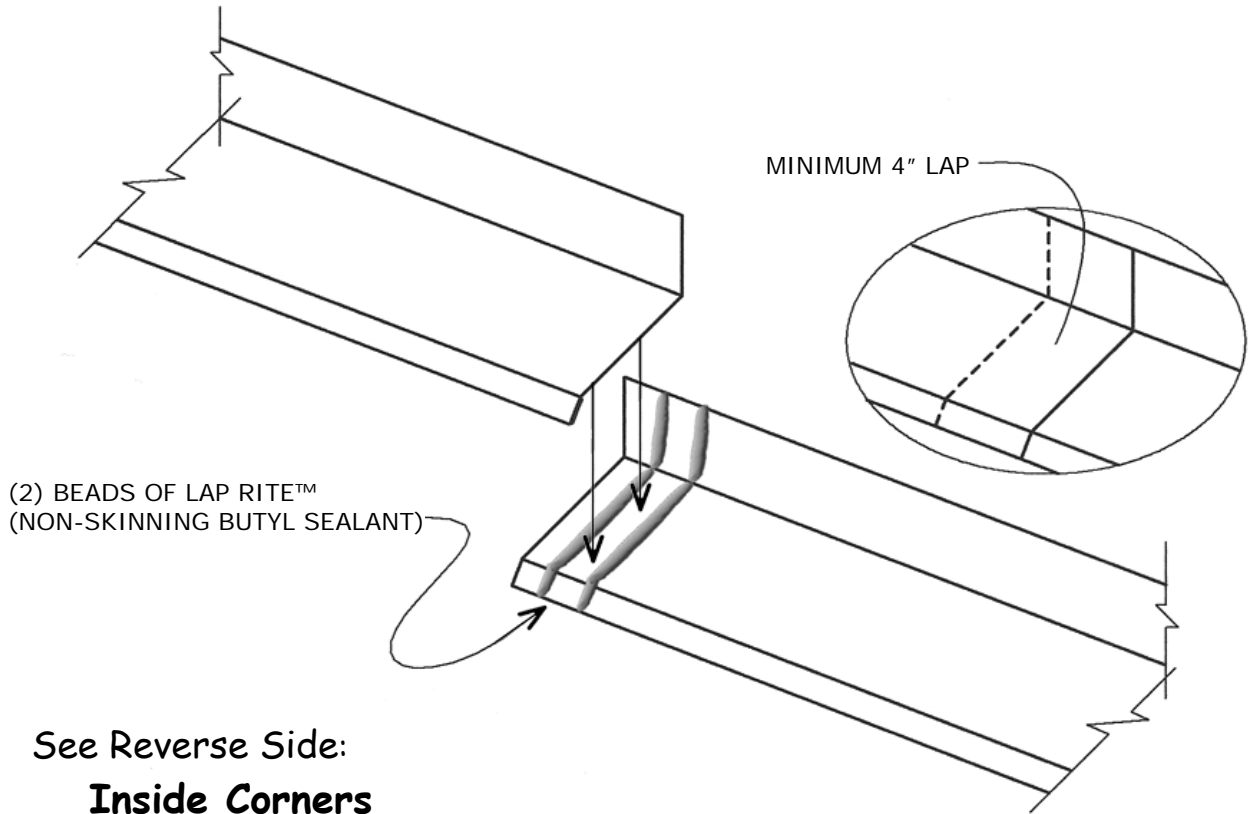


### Metal Flashing Installation



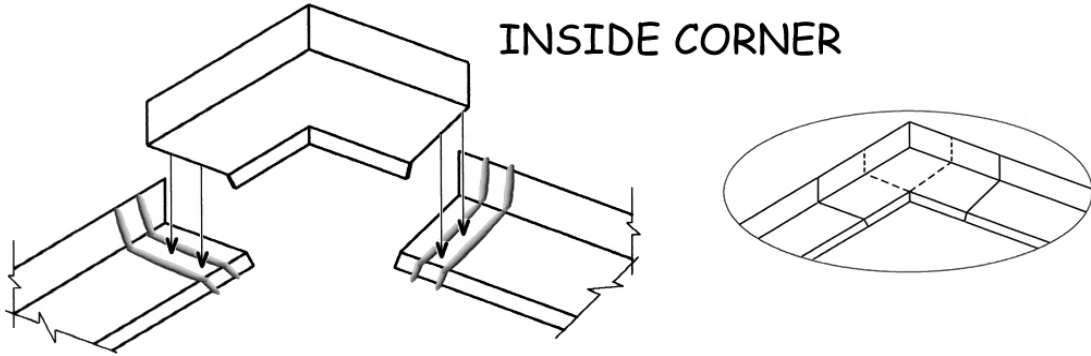
See Reverse Side:  
**Inside Corners**  
**Outside Corners**  
**End Dams**

Seal with:  
**LAP RITE™**  
(Non-Skinning  
Butyl Sealant)

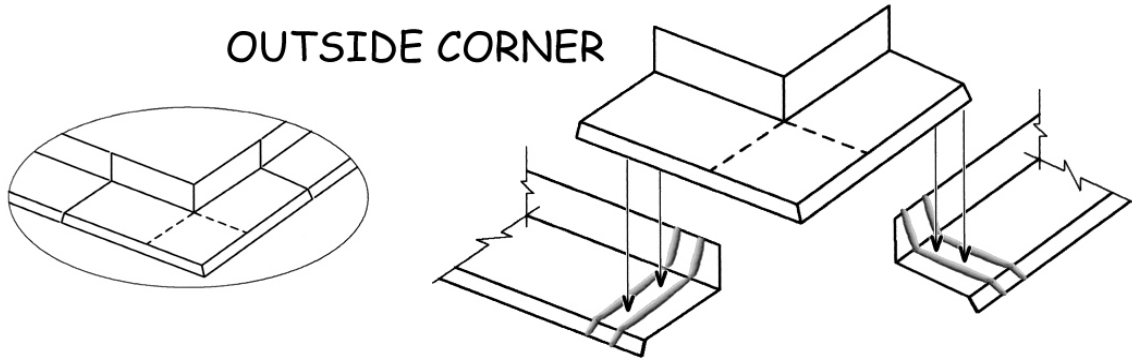


### Metal Flashing Installation

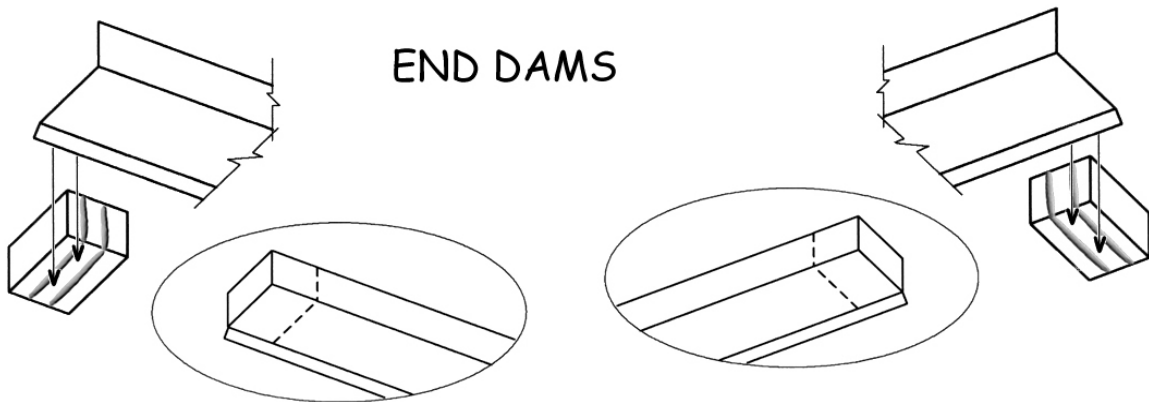
#### INSIDE CORNER



#### OUTSIDE CORNER



#### END DAMS



OPTIONAL: Form end dams with membrane flashing and compatible sealant.